

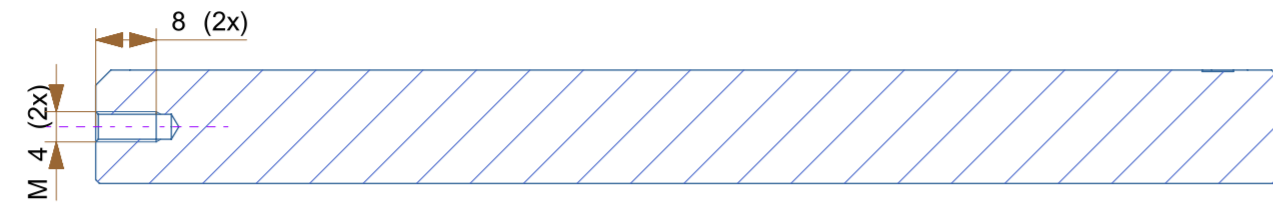
A

B

C

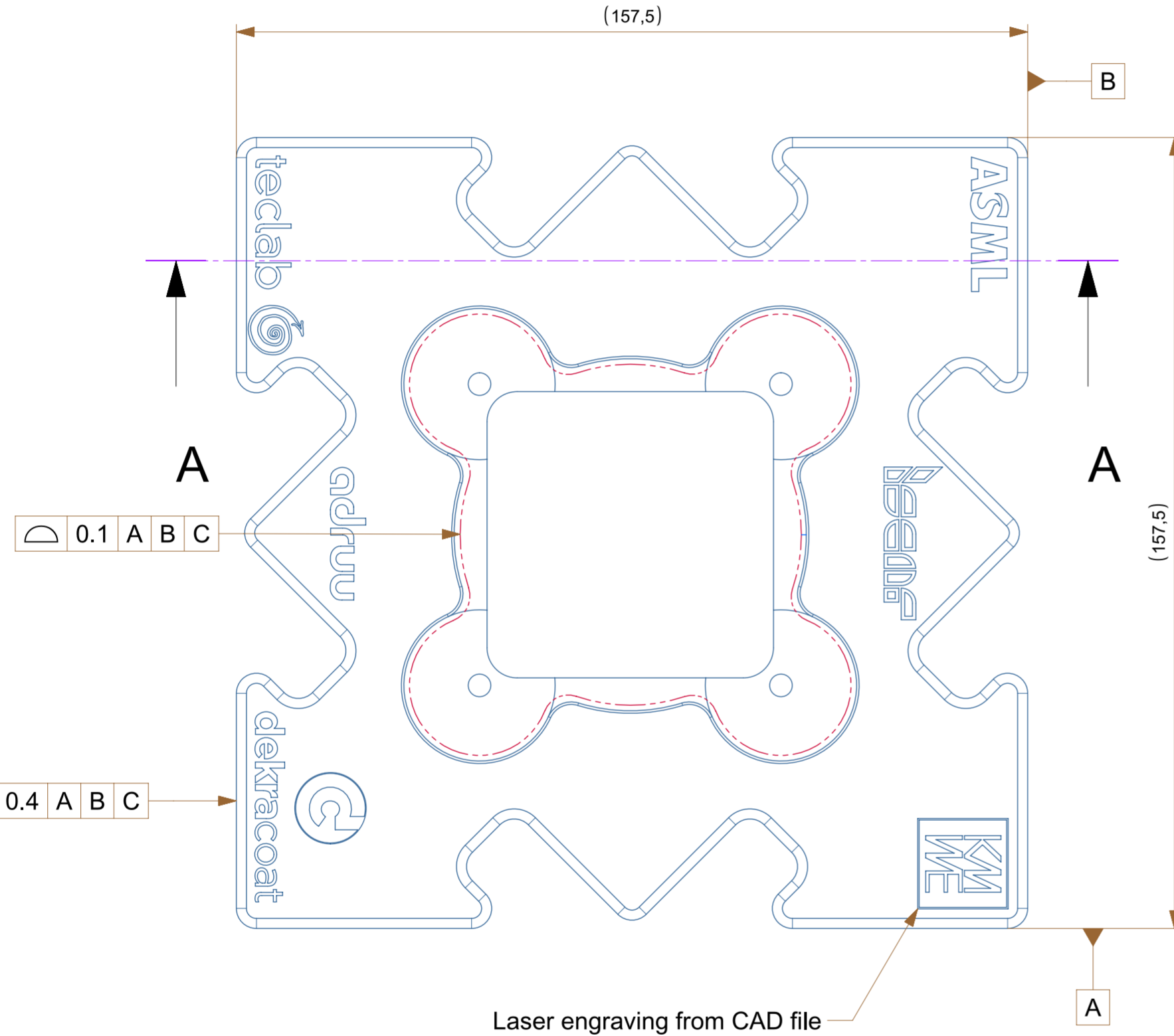
D

E



SECTION A-A

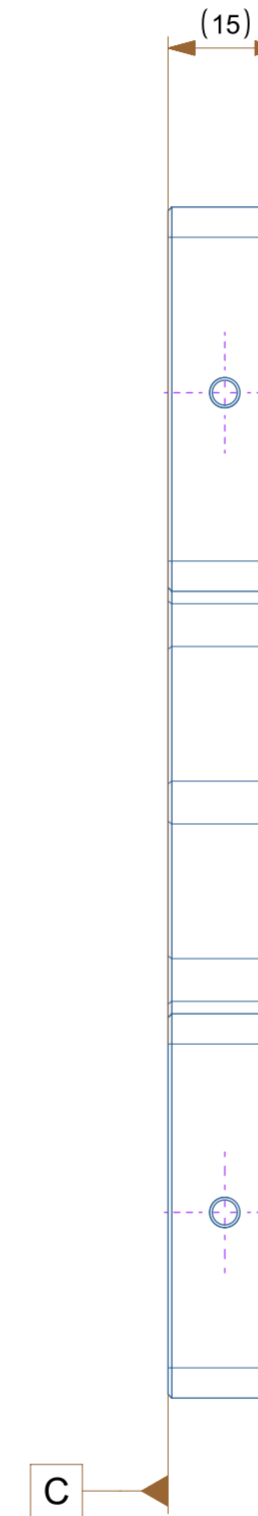
(157,5)



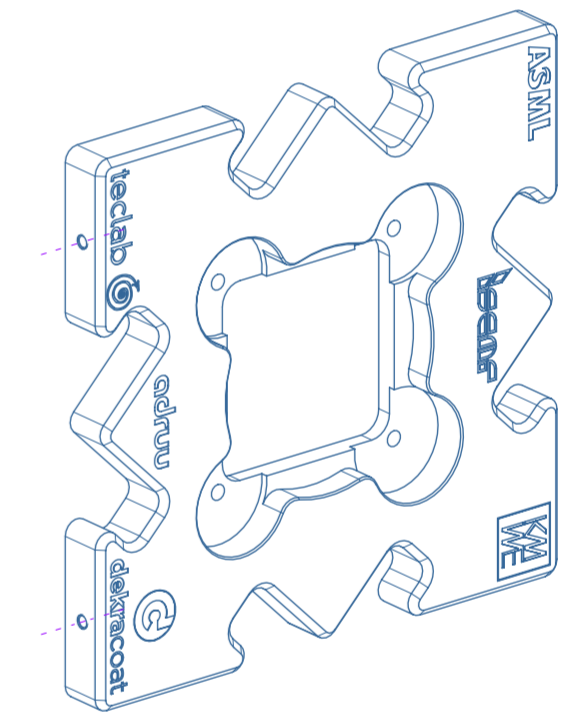
0.1 A B C

0.4 A B C

Laser engraving from CAD file



C



For all non-specified dimensions, refer to 3D CAD model.
Unless otherwise stated

-For all cylindrical holes: $\varnothing 0.2$ A B C

-For all surfaces: 0.2 A B C

Remove sharp edges

	Material description: EN-AW 6060-T6		Units: MM
			Scale: 1:1
	Treatment: Anodizing (Matte Black)	Roughness (Ra) 1.6 ✓	Tolerances unless otherwise specified: ISO 2768-1M/2K
	Product name: Body	CODE NUMBER: 0001.001 0	YYYY-Mmm-DD
Name: Kevin Sprengers	Creation date: 30-03-2016	Sheet: 110 - 1	Sheets: 1 Size: A2